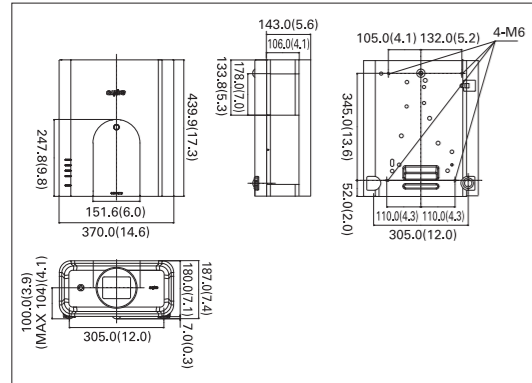


External dimensions (unit: mm(inch))



Terminals



Specifications

Model number	PLC-HP7000L		
System	RGB liquid crystal shutter projection system		
LCD panel	Size	1.2inch x 3(inorganic), Aspect Ratio 16:9	
	Number of pixels	2,073,600(1920 x 1080 dots) x 3	
Color Control Device	1		
Lens	Option		
Lamp	380 W		
Projection size	40inch - 600inch (projection distance varies depend on lens)		
Color reproduction	Full color (1.07 billion colors) *when in using with video		
Brightness*1	7,000 lm*2		
Uniformity*1	90 %		
Contrast ratio*1	2700:1*3		
Scanning frequency	H/V sync 15-120kHz,48-100Hz, Dot clock 162 MHz		
Computer compatibility	WUXGA / UXGA / WXGA / SXGA+ / SXGA / XGA / SVGA / VGA / MAC		
Color system	NTSC / PAL / SECAM / NTSC 4.43 / PAL-M / PAL-N		
Input terminals	Input 1	HDMI(Ver.1.3 with Deep color) x 1, DVI-D(HDCP) x 1, D-sub15 x 1(AnalogRGB)	
	Input 2	5-BNC x 1 (G,B,R,H/V,V)VIDEO/Y,Pb/Cb,Pr/Cr	
	Input 3	Mini DIN 4-pin x 1(S-Video), RCA x 3(VIDEO/Y,Pb/Cb,Pr/Cr)	
Monitor output	D-sub 15-pin x 1 (analog RGB)		
Other terminals	RJ-45 x 1, D-sub 9pin x 1, USB*4:Type-B x 1, Mini jack x 1, D-sub 25pin for Network box		
Control Port	D-sub9pin x 1		
Fan noise	38.0 dBA (Eco1 mode)		
Operating temperature	5 - 40°C		
Power supply	100 - 120 V / 200 - 240 V, 50 / 60 Hz		
Power Consumption	100-120V	520W(Normal) 430W(Ecol)	
	200-240V	500W(Normal) 410W(Ecol)	
	Standby	15W(100-120V) 17W(200-240V)	
Dimensions (W x H x D)	370.0 x 187.0 x 439.9 mm(14.6 x 7.4 x 17.3inch)		
Weight	11.6kg(25.6lbs)(without lens)		
Standard accessories	Owner's manual (CD-ROM), AC power cord x 1, wireless / wired remote control x 1, (AAA battery x 2), D-sub15 cable x 1, PIN code label, lens attachment x 1, light shield x 2, lens spacer		

Replacement Lamp Type No. : POA-LMP149

\*1 Measurement, measuring conditions, and method of notation all comply with ISO 21118 international standards. Measurement method / conditions are based on Appendix 2. \*2 Lamp mode:auto/normal, Image mode:Dynamic, Advanced color:Auto, in use with LNS-S32. \*3 Lamp mode:auto, Image mode:Dynamic, Advanced color:Auto, in use with LNS-S32. \*4 USB interface does not guarantee that every USB device is compatible. \* All product names and company names are trademarks or registered trademarks of their respective companies. \* Product appearance and specifications are subject to change without notice.

Major Options

Option Lens Throw Distance (Aspect ratio horizontal:vertical = 16:9)

Type	On-Axis Short Fixed Lens	Short Zoom Lens		Standard Zoom Lens		Long Zoom Lens		Long Zoom Lens		Long Zoom Lens													
Part Number	LNS-W34	LNS-W33		LNS-S32		LNS-T34		LNS-T32		LNS-T33													
image																							
Zoom/Focus	Fixed/Manual	x1.4/Power		x1.3/Power		x1.8/Power		x1.4/Power		x1.56/Power													
Focal length(mm   inch)	22.3   0.88	34.5-48.3	1.4-1.9	48.1-62.5	1.9-2.5	63.2-113.8	2.5-4.5	108-151.2	4.3-6.0	148-234	5.8-9.2												
F value	2.5	2.1-2.8		1.7-2.1		2.1-2.8		2.0-2.7		2.2-2.7													
lens aperture(φmm   φinch)	115   4.5	115	4.5	115	4.5	115	4.5	99	3.9	115	4.5												
lens weight(Kg   lbs)	1.7   3.7	1.84	4.1	1.7	3.7	1.94	4.3	1.51	3.3	2.0	4.4												
Projection light axis	H1:H2 W1:W2	1:1(Fixed)	10:0 - 1:1(approx.)	10:0 - 1:1(approx.)	10:0 - 1:1(approx.)	10:0 - 1:1(approx.)	10:0 - 1:1(approx.)	10:0 - 1:1(approx.)	10:0 - 1:1(approx.)	10:0 - 1:1(approx.)	10:0 - 1:1(approx.)												
Throw Ratio	0.8:1	1.3-1.8:1		1.8-2.3:1		2.3-4.2:1		4.15-5.78:1		5.71-8.96:1													
inch	W x H (mm)	m		ft		m		ft		m		ft											
		Fixed	Wide	Tele	Wide	Tele	Wide	Tele	Wide	Tele	Wide	Tele	Wide	Tele									
40	886 x 498	0.66	2.18	1.1	1.5	3.5	5.0	1.5	2.0	4.9	6.4	1.9	3.6	6.3	11.9	3.8	5.2	12.5	17.2	-	-	-	-
60	1328 x 747	1.04	3.40	1.6	2.3	5.4	7.7	2.3	3.0	7.5	9.8	3.0	5.5	9.7	18.1	5.6	7.8	18.4	25.5	7.7	12.1	25.4	39.6
80	1771 x 996	1.41	4.62	2.2	3.1	7.3	10.3	3.1	4.0	10.1	13.2	4.0	7.4	13.2	24.3	7.4	10.3	24.3	33.8	10.2	16.0	33.5	52.4
100	2214 x 1245	1.78	5.83	2.8	3.9	9.1	12.9	3.9	5.0	12.7	16.5	5.1	9.3	16.6	30.5	9.2	12.8	30.3	42.1	12.7	19.9	41.5	65.3
120	2657 x 1494	2.15	7.05	3.4	4.7	11.0	15.5	4.7	6.1	15.3	19.9	6.1	11.2	20.0	36.7	11.0	15.4	36.2	50.5	15.1	23.8	49.6	78.1
150	3321 x 1868	2.71	8.88	4.2	5.9	13.8	19.5	5.9	7.6	19.3	25.0	7.7	14.0	25.2	46.0	13.7	19.2	45.1	62.9	18.8	29.7	61.7	97.3
200	4428 x 2491	3.64	11.93	5.6	7.9	18.5	26.0	7.9	10.2	25.8	33.4	10.3	18.7	33.8	61.5	18.3	25.5	59.9	83.7	25.0	39.4	81.9	129.4
250	5535 x 3113	4.56	14.97	7.1	9.9	23.2	32.6	9.9	12.8	32.4	41.9	12.9	23.5	42.3	77.0	22.8	31.9	74.8	104.5	31.1	49.2	102.1	161.4
300	6641 x 3736	5.49	18.02	8.5	11.9	27.9	39.2	11.9	15.3	38.9	50.3	15.5	28.2	50.9	92.5	27.3	38.2	89.6	125.4	37.3	59.0	122.3	193.5
350	7748 x 4358	6.42	21.07	9.9	13.9	32.6	45.7	13.9	17.9	45.5	58.7	18.1	32.9	59.5	108.0	31.8	44.6	104.4	146.2	43.4	68.7	142.5	225.5
400	8855 x 4981	7.35	24.11	11.4	15.9	37.3	52.3	15.9	20.5	52.0	67.2	20.8	37.6	68.1	123.5	36.3	50.9	119.3	167.0	49.6	78.5	162.6	257.6
500	11069 x 6226	9.21	30.21	14.2	19.9	46.7	65.4	19.9	25.6	65.1	84.1	26.0	47.1	85.2	154.5	-	-	-	-	-	-	-	-
600	13283 x 7472	11.06	36.30	17.1	23.9	56.1	78.6	23.8	30.8	78.2	101.0	31.2	56.5	102.4	185.5	-	-	-	-	-	-	-	-

\*Approximate projection distances are calculated based on lens specifications. Individual lenses may diverge from this figure by up to 5% due to slight variations in lens size and shape.

All products manufactured by the Projector Division of SANYO's Digital System Company employ a quality management system that has undergone the inspection and registration process of the ISO 9001 international standard.



SANYO's Digital System Company has received ISO 14001 certification for the environmental management system used in its factory.



<http://sanyo.com/projector/>

Caution: Please consult the instruction manual to ensure safe and proper operation of the product.

Distributed by:



SANYO Electric Co., Ltd.  
Digital System company



©2011 SANYO Printed in Japan 2011.11 St. SML180

Professional Projector



Full-HD QuaDrive™

More Vivid, More Detailed Images.  
The Power to Express True, Lifelike Beauty.



PLC-HP7000L

# Featuring the Realistic Colors and Stunning Beauty of the QuaDrive™ Engine.

The QuaDrive™ engine greatly enhances color reproduction to produce large-screen images with beautifully vibrant colors. And other advanced functions match a wide variety of installation environments and situations, to enable truly versatile image projection.

## PLC-HP7000L

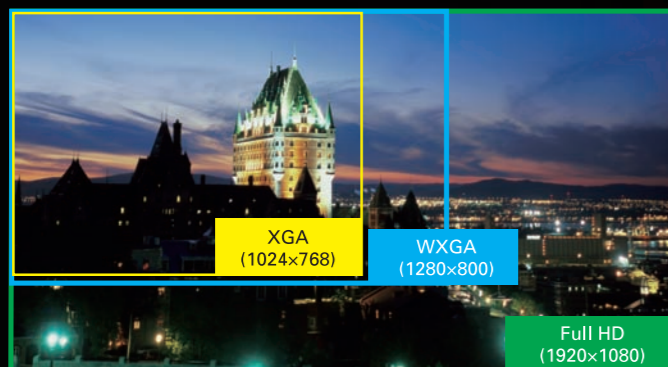
**Full-HD 7000lumens** Weight 11.6Kg(without Lens)  
Dimensions 370.0 x 187.0 x 439.9mm



## High Brightness, High Resolution, High Image Quality

### High Full-HD Resolution

High-resolution Full-HD (1920 x 1080) images achieve 7,000 lumens of brightness. This lets you project bright, highly detailed, large-screen images at large concert halls, conference rooms and events, as well as in digital signage.



### Realistic Image Reproduction with 10-Bit Signal Processing

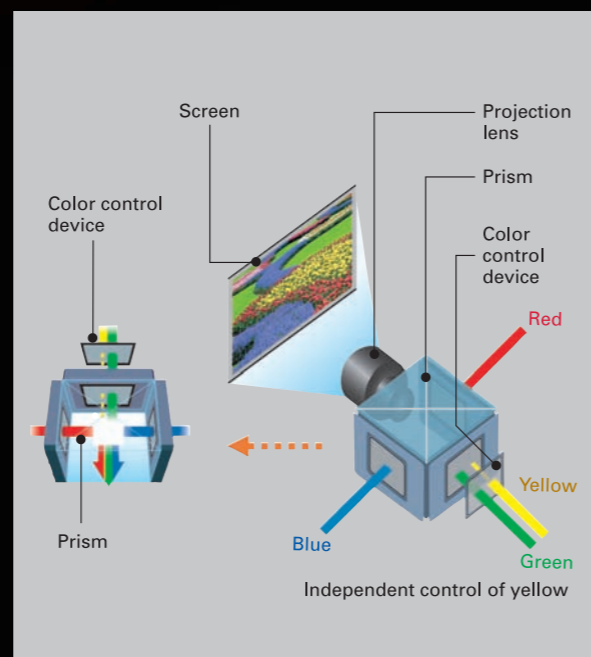
Images are powerfully expressed with approximately 1.07 billion colors, thanks to 10-bit (1,024-step gradation) digital processing for each of the red, green and blue signals.

### Automatic Image Compensation with Auto Picture Control Capability

The gamma setting and offset are matched to the image details with precise timing, to provide each image with optimal contrast and crisp clarity.

### Featuring the QuaDrive™ Engine

To achieve more beautiful, more colorful and more lifelike images, the QuaDrive™ Engine enhances the conventional 3LCD system by adding a Color Control Device that isolates and controls the yellow component. By controlling and adjusting the intensity of yellow light, the Color Control Device improves color reproduction to produce brighter images with more expressive coloring.



## Easy Maintenance

### AMF (Active Maintenance Filter) System

Built-in airflow sensors and atmospheric pressure sensors detect changes in the intake airflow volume that indicate filter clogging. When the airflow level drops, the filter is automatically wound in to provide a predetermined clean filter surface, so there is no need to manually clean the filter. The replacement cycle for the filter cartridge is approximately 10,000 hours.\* This raises reliability while lowering maintenance costs.



\*When lamp control: Normal mode is selected. This value is calculated through the company's independent test in reference to the JIS D0207 test method. The filter replacement period is an estimate and changes according to the use environment.

### Filter Clogging Detection Function

When it becomes time to clean the filter, or when the filter is clogged, the operator is informed by LED indicators and a message on the on-screen display (reducing heat damage to the interior).

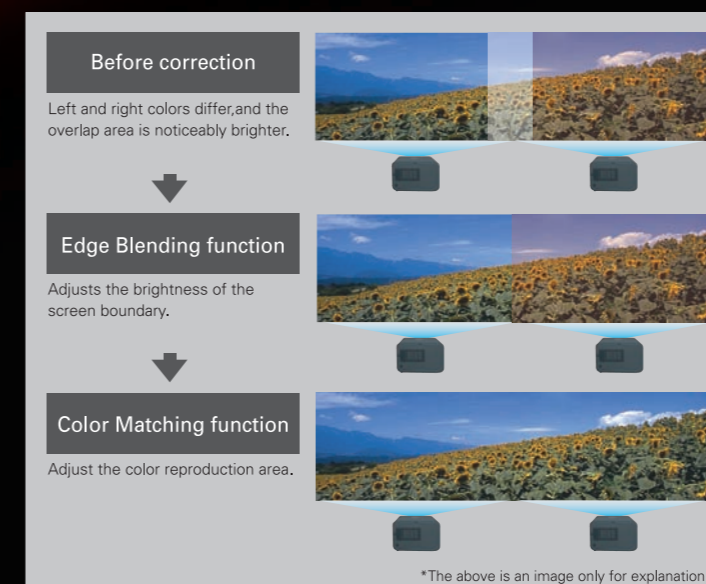
### One-Way Cooling Mechanism

Intake and exhaust ports have been eliminated from various places on the projector, such as the bottom surface, and concentrated into one intake and one exhaust, both on the side, to solve dust-related problems and improve cooling reliability.

## Other Convenient Functions

### Edge Blending and Color Matching

The edge blending function creates seemingly boundary-less images with multi-image display possibilities. The built-in color matching function corrects variations in color reproduction when using more than one projector.



### Picture-in-Picture Mode and Picture-by-Picture Mode

The built-in Picture-in-Picture mode and Picture-by-Picture mode allow two images to be simultaneously projected.

#### Picture-in-Picture

Sub-image size and position are adjustable



#### Picture-by-Picture

Image size and position are fixed



### Mechanical Shutter for Convenient Projection Pausing

### Network System Management Availability

- The wired LAN terminal (RJ-45) enables control and management of the projector over a network.
- Compatibility with the optional PJ-NET Organizer enables image projection with network cable connection.
- The projector supports Crestron RoomView® as well as AMX Device Discovery, enabling users to manage and control projectors connected to a network.



### The Power Vertical/Horizontal Lens Shifting function enables projection adjustments without having to change the projector position.

### Vertical 360-degree Tilt Angle Projection allows projection on the ceiling, floor, etc.

### Corner Keystone Correction straightens the image when projecting from an angle.

### HDMI terminal for digital input.

### After use, the Direct Power-off function allows the projector to be shut down without even pressing the power button.